



Cozito HS

Steel frames are being used in increasingly ingenious ways in furniture design. In the case of Cozito a striking steel detail has been added to the back of this chair. In combination with the upholstery of the seat and the extra high backrest it is simply a striking design with its own character.

Cozito was exclusively designed for Satelliet Originals by the Dutch product and furniture designer Jan Dijkstra. Cozito has a wired steel frame with an upholstered seat and back.

Cozito is available as a chair and stool.

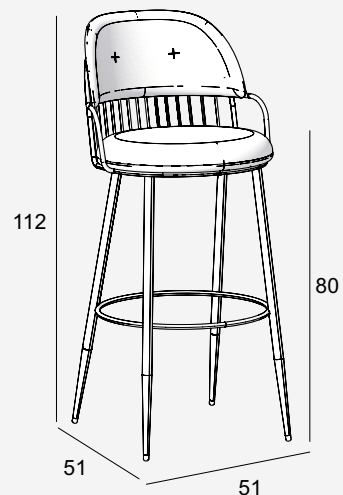
The frame comes in black as standard but can be supplied in other RAL colours on request



Satelliet
Originals tailor-made

Specifications

Materials:	steel CMHR foam plastic caps
Weight:	11,5 kg
Colors:	black
Possibilities:	overcoating Satelliet home collection shortening of seat height
Family:	Cozito SC



sizes in cm

Downloads

3D files:	.3DS .DWG .MAX .OBJ .SKP .VWX
-----------	--

Extra:	high resolution picture
--------	-------------------------