



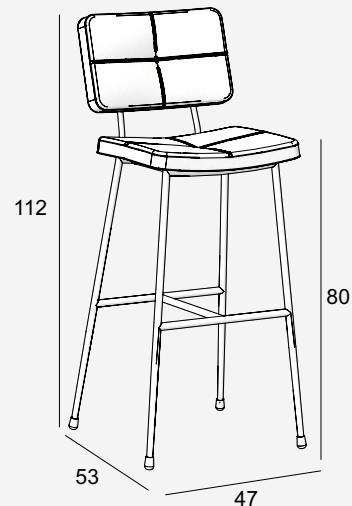
Gerlin HS

Gerlin is everyman's friend. Therefore the Gerlin can be placed anywhere to add comfort and flair to a space. Conical compact legs and slightly curved seat and back elements form the basis for Gerlin's design. Gerlin is a design by Studio Sateliet. The collection leaves a dazzling amount of room for a personal touch in terms of frame finishes and upholstery. You choose how you want your Gerlin: in plywood steel wire or fully upholstered.



Specifications

Materials:	steel foam plywood plastic caps
Weight:	6,4 kg
Colors:	black
Possibilities:	overcoating Sateliet home collection CMHR foam shortening of seat height
Family:	Gerlin AC Gerlin SC Gerlin HS-WB Gerlin B Gerlin HB Gerlin LAC Gerlin mesh AC Gerlin mesh SC Gerlin mesh HS Gerlin mesh Gerlin plywood AC Gerlin plywood SC Gerlin plywood HS Gerlin stackable SC



sizes in cm

Downloads

3D files:	.3DS .DWG .MAX .OBJ .SKP .VWX
-----------	--

Extra:	high resolution picture
--------	-------------------------