



Gerlin Mesh AC

The Gerlin is everyman's friend. The chair is utmost versatile due to its simple design. Therefore the Gerlin can be placed anywhere to add comfort and flair to a space. Conical compact legs and slightly curved seat and back elements form the basis for Gerlin's design.

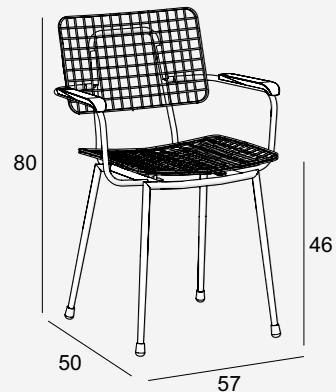
This chair is available with a separate seat and back cushion that can be finished in a fabric or imitation leather from our house collection of your choice. The armrests can be in Bakelite (matt or glossy) or clear lacquered oak or walnut.



Specifications

Materials:	steel bakelite plastic caps
Weight:	7,3 kg
Colors:	black
Possibilities:	overcoating Satelliet home collection seat cushion back cushion gloss or matt bakelite armrest wooden armrest oak, matt lacquered Wooden armrests walnut, matt lacquered

Family:	Gerlin AC Gerlin SC Gerlin HS Gerlin HS-WB Gerlin B Gerlin HB Gerlin LAC Gerlin mesh SC Gerlin mesh HS Gerlin mesh Gerlin plywood AC Gerlin plywood SC Gerlin plywood HS Gerlin stackable SC
---------	---



sizes in cm

Downloads

3D files:	.3DS .DWG .MAX .OBJ .SKP .VWX
-----------	--

Extra:	high resolution picture
--------	-------------------------