



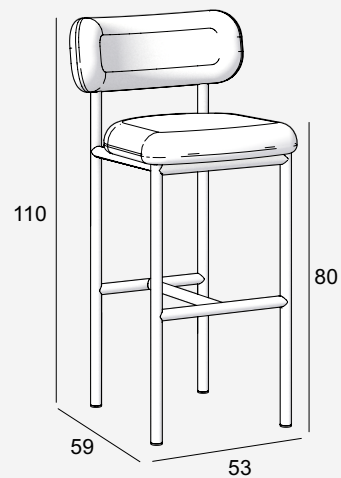
Mino HS

Mino has a steel frame that can be produced in various colours. The back and seat are upholstered with a fabric of your choice. The Mino series is an in-house development by Studio Sateliet.



Specifications

Materials:	steel CMHR foam plywood plastic caps
Weight:	9,2 kg
Colors:	Sateliet home collection
Possibilities:	shortening of seat height
Family:	Mino SC



sizes in cm

Downloads

3D files:	.3DS .DWG .MAX .OBJ .SKP .VWX
-----------	--

Extra:	high resolution picture
--------	-------------------------